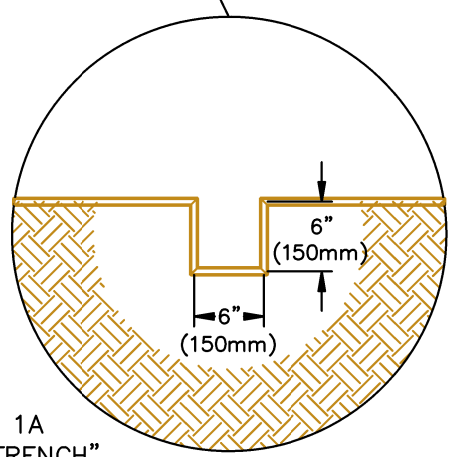
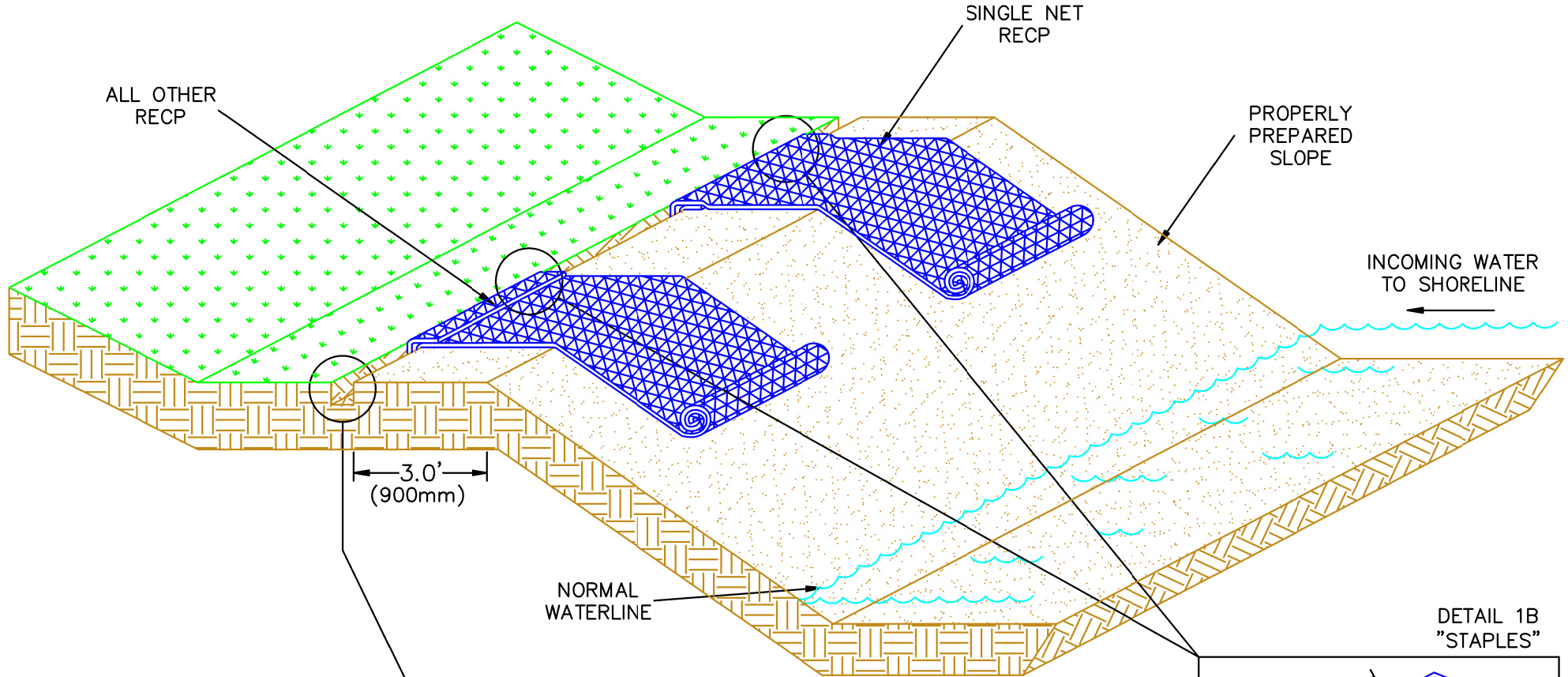
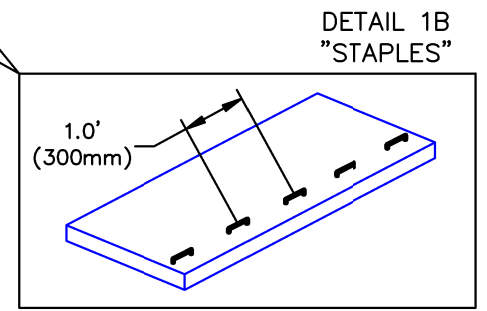


***NOTE:**
 Install the RECPs 3ft. (900mm) beyond the shoulders of the slope onto flat final grade. Secure roll end with a single row of staples on 1 ft. (300mm) centers.

For further information please refer to ECTC Installation Guidelines



DETAIL 1A
 "ANCHOR TRENCH"



DETAIL 1B
 "STAPLES"

SHEET DESCRIPTION		Erosion Control Technology Council	
SHORELINE DRAWING #1		RECP SHORELINE INSTALLATION	
PROJECT No.		SCALE:	NONE
PROJECT MANAGE:		CHECKED BY:	DRAWING REVISION DATE: 06/20/2022
APPROVED BY:		VERSION NUMBER:	

