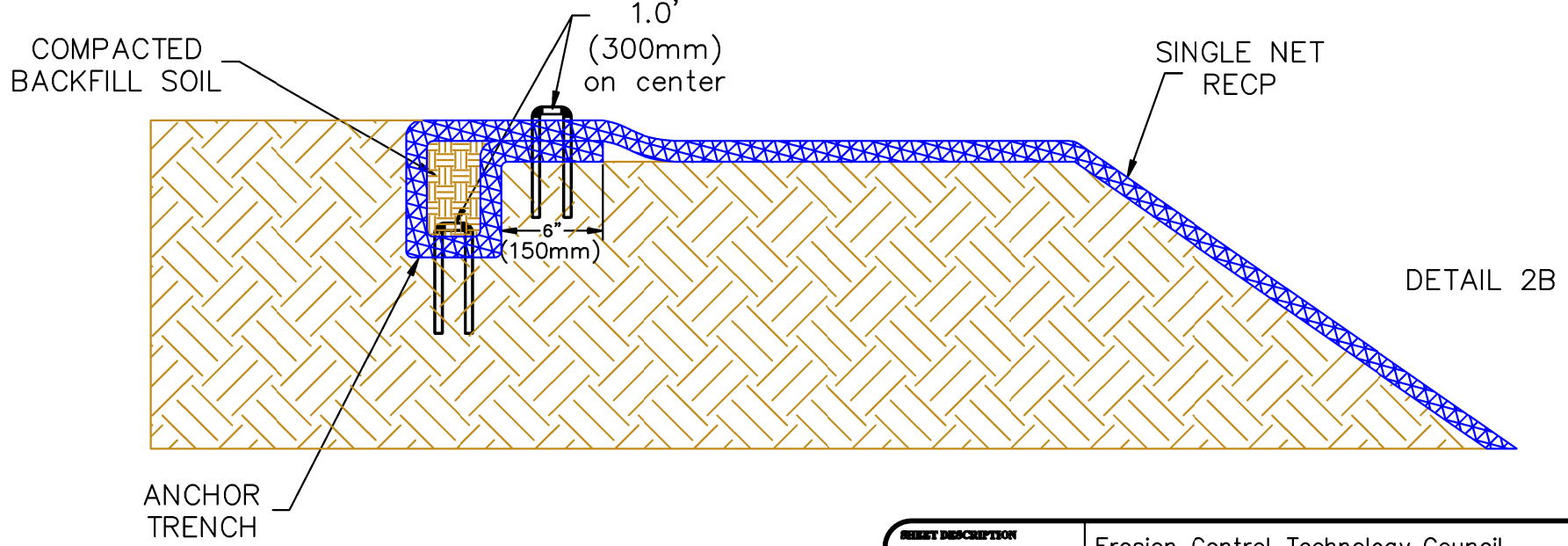
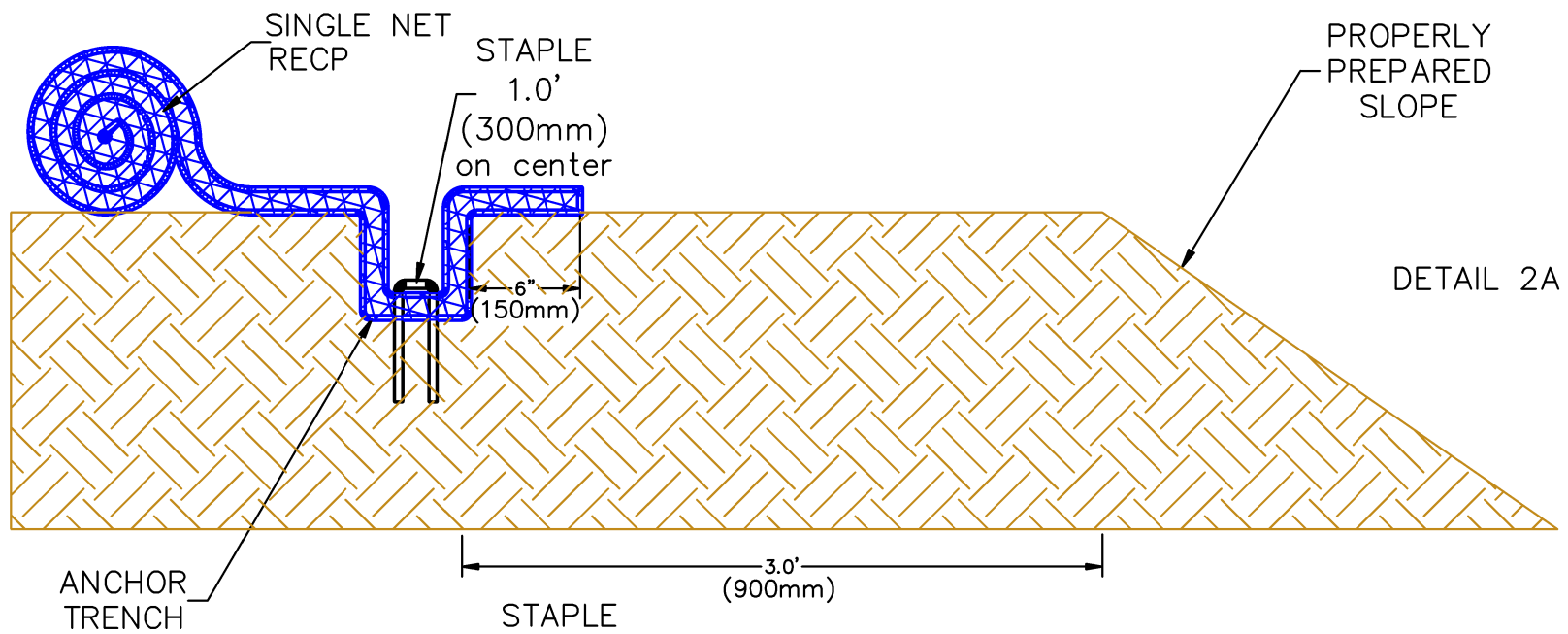


*NOTE:
Netting to be on top of blanket.



SHEET DESCRIPTION SLOPE DRAWING #2	Erosion Control Technology Council	
PROJECT No.	RECP SLOPE INSTALLATION	
PROJECT MANAGE:	SCALE: NONE	
CHECKED BY:	DRAWING REVISION DATE:	06/20/2022
APPROVED BY:	VERSION NUMBER:	



For further information please refer to ECTC Installation Guidelines