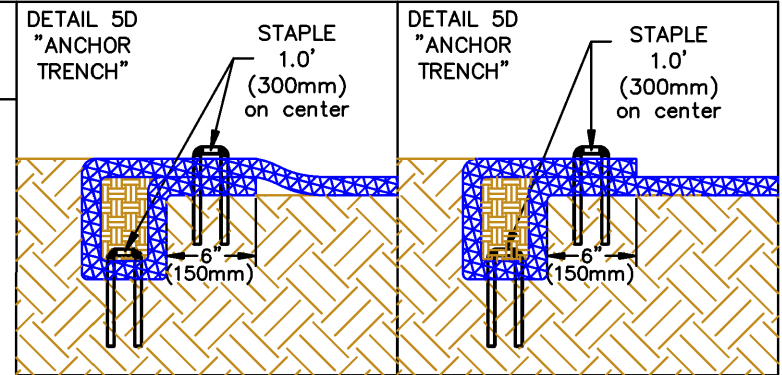


DETAIL 4A
"OVERLAP"



DETAIL 5D
"ANCHOR TRENCH"

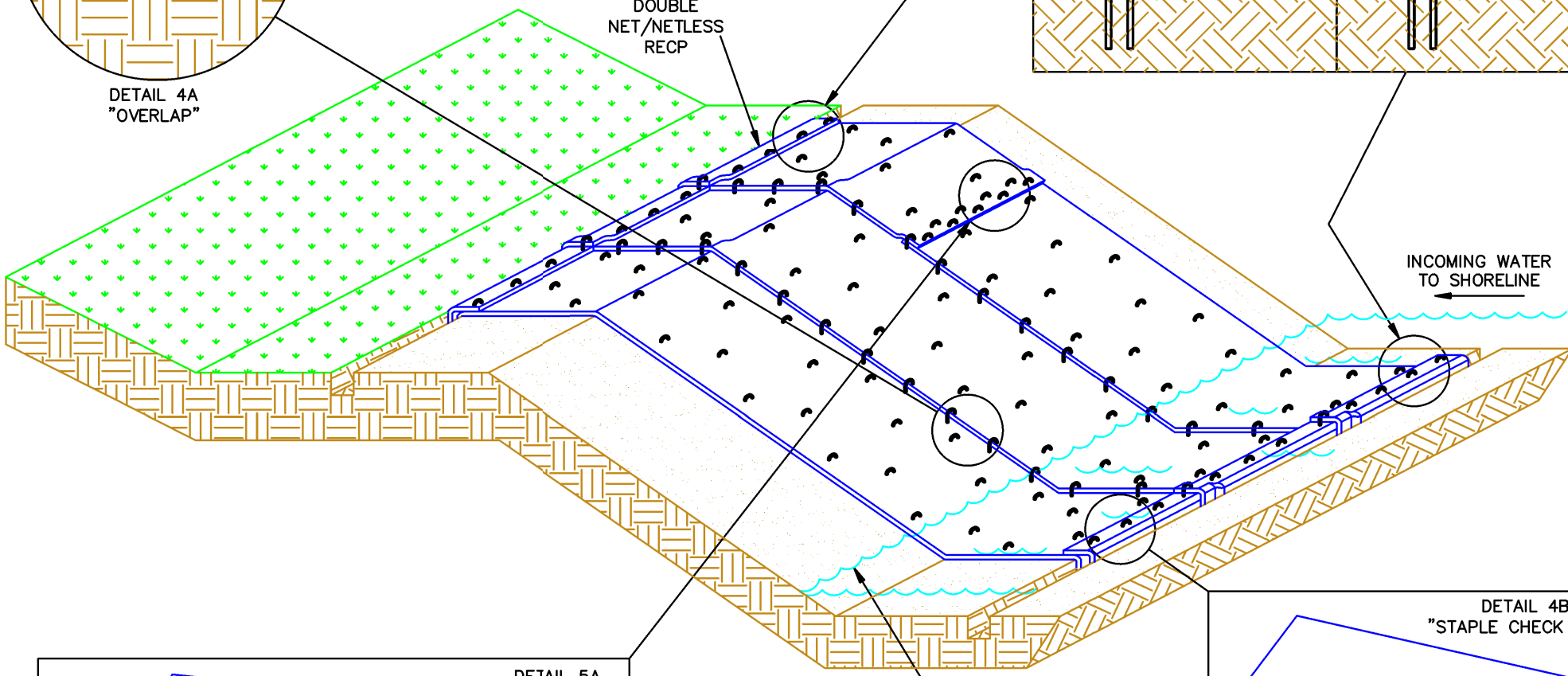
STAPLE
1.0'
(300mm)
on center

6"
(150mm)

DETAIL 5D
"ANCHOR TRENCH"

STAPLE
1.0'
(300mm)
on center

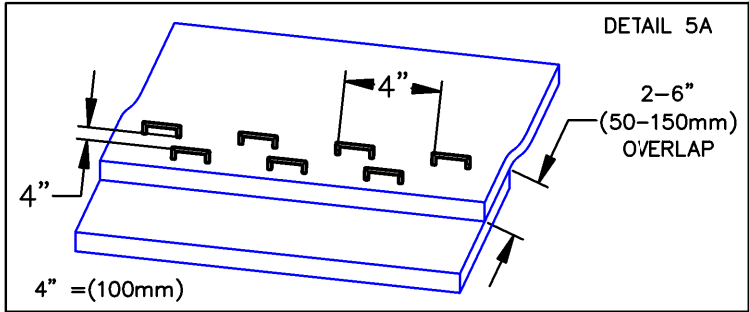
6"
(150mm)



DOUBLE
NET/NETLESS
RECP

INCOMING WATER
TO SHORELINE

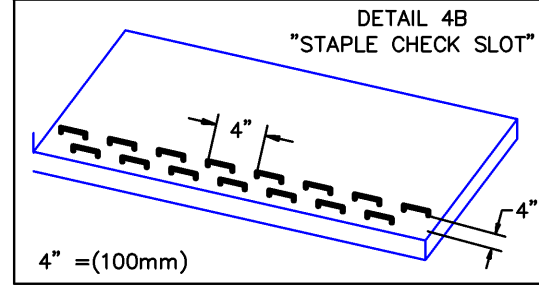
NORMAL
WATERLINE



DETAIL 5A

2-6"
(50-150mm)
OVERLAP

4" = (100mm)



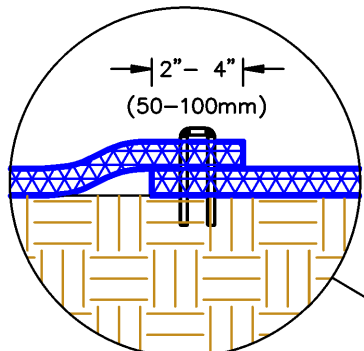
DETAIL 4B
"STAPLE CHECK SLOT"

4" = (100mm)

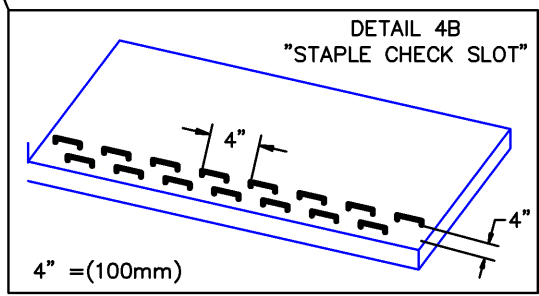
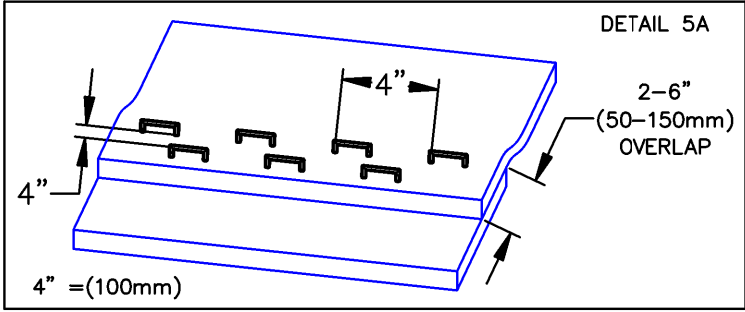
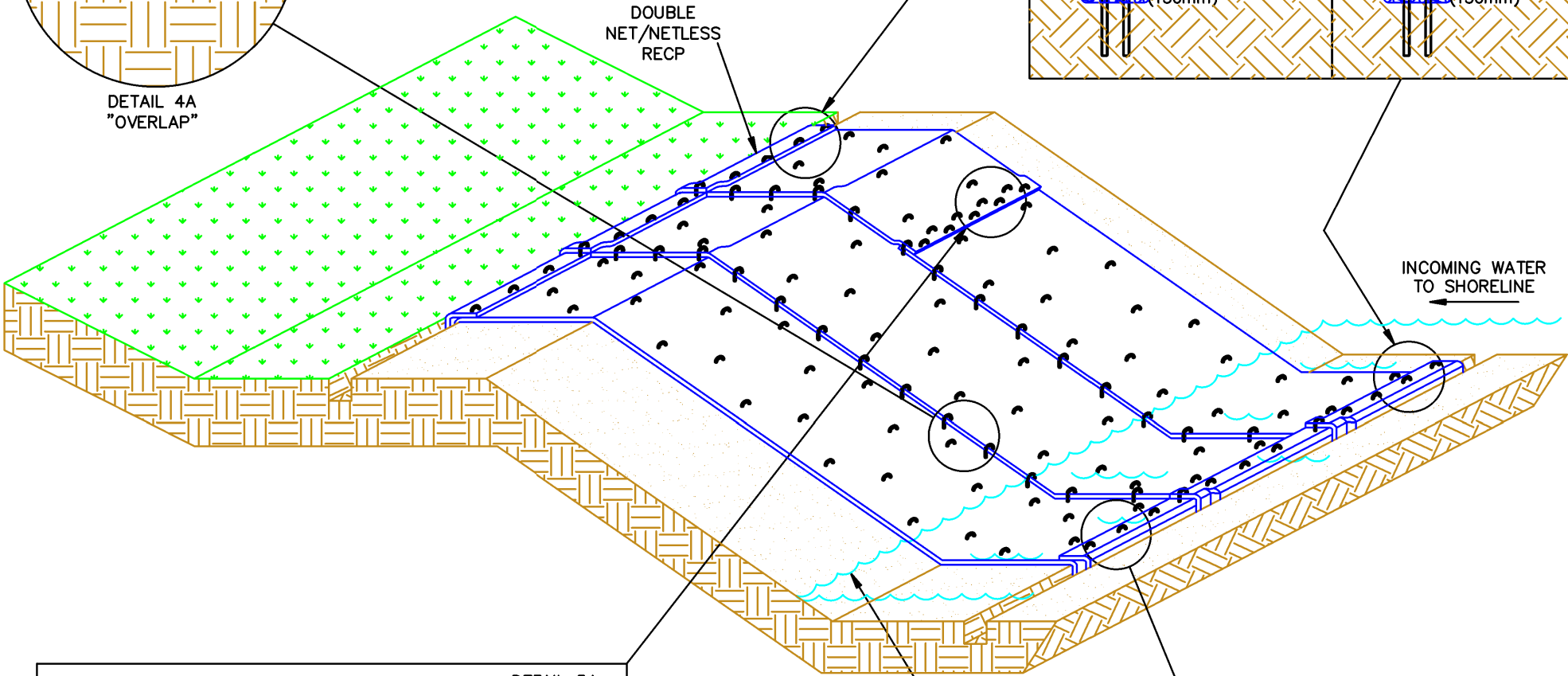
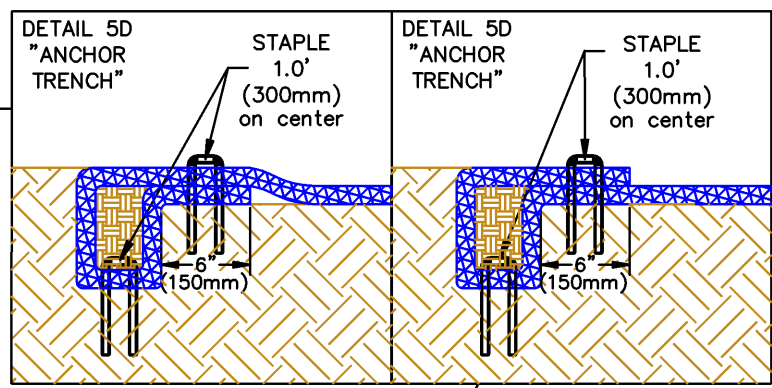
HEET DESCRIPTION	Shoreline Drawing #5 Erosion Control Technology Council – Denver, CO.	
PROJECT No.	RECP SHORELINE INSTALLATION	
PROJECT MANAGE:	SCALE:	NONE
CHECKED BY:	DRAWING REVISION DATE:	07/22/2020
APPROVED BY:	VERSION NUMBER:	



For further information please refer to ECTC Installation Guidelines



DETAIL 4A
"OVERLAP"



For further information please refer to ECTC Installation Guidelines