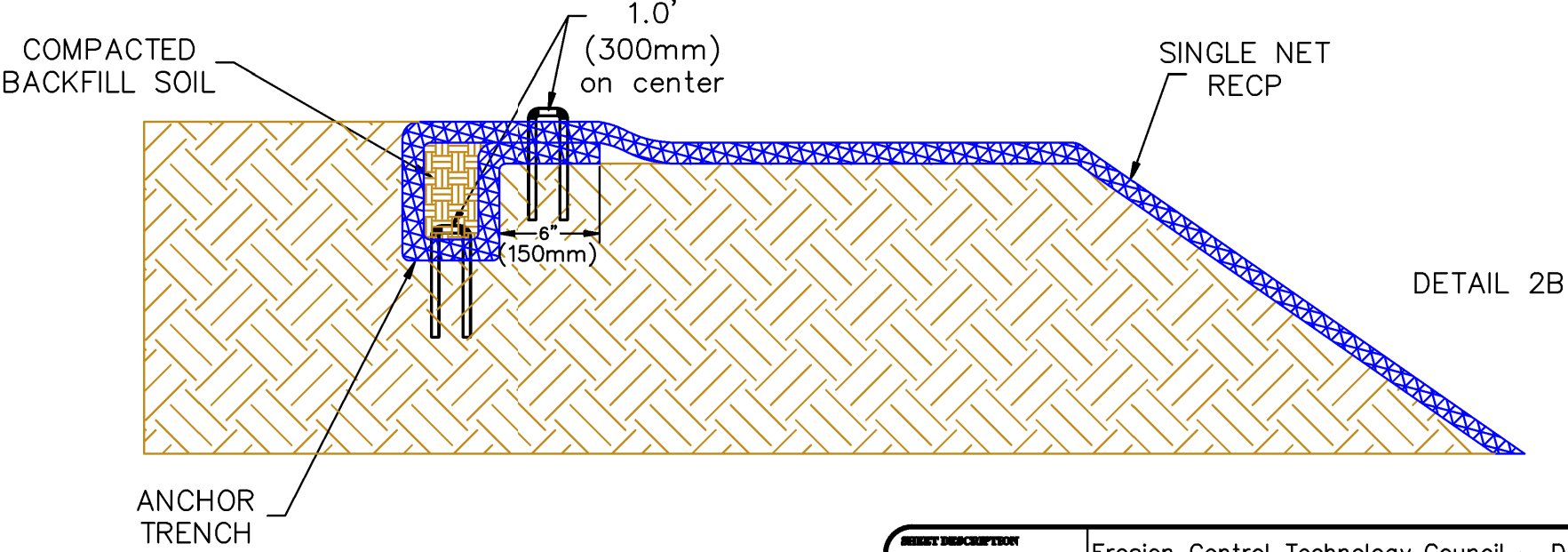
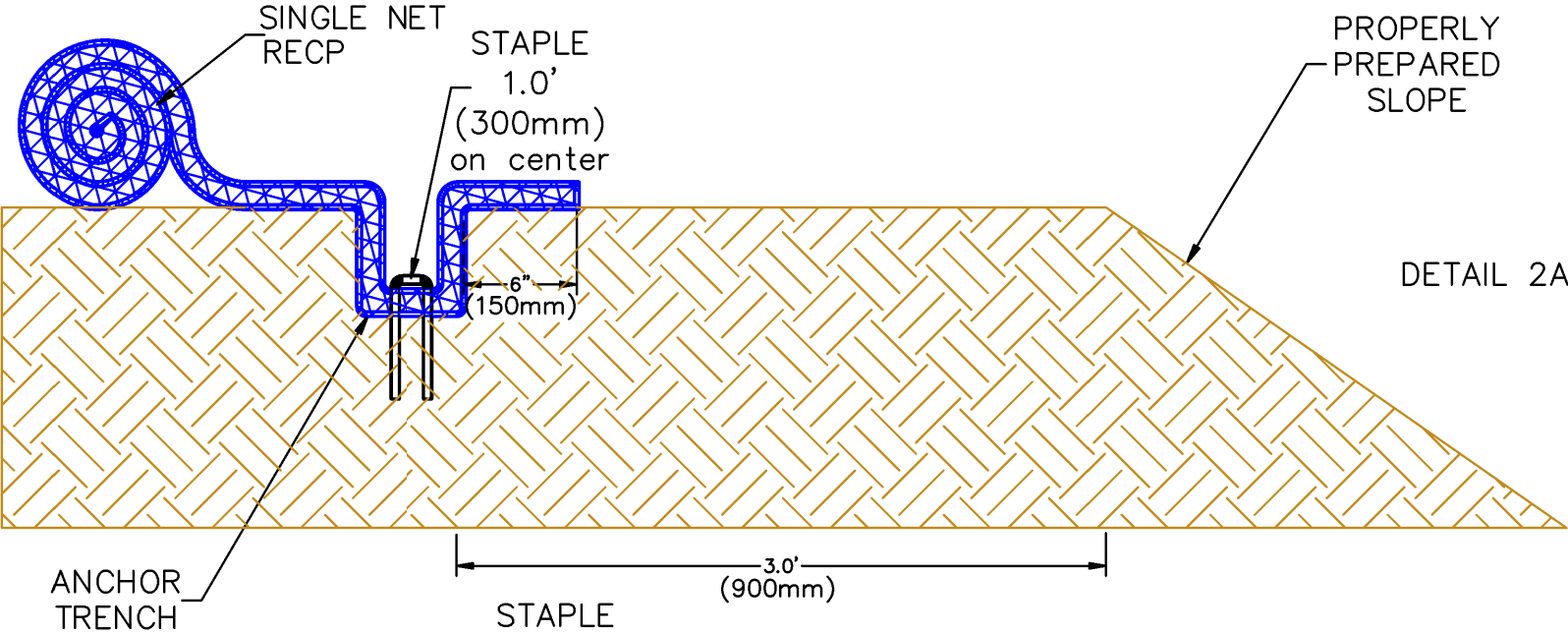


*NOTE:
Netting to be on top of blanket.

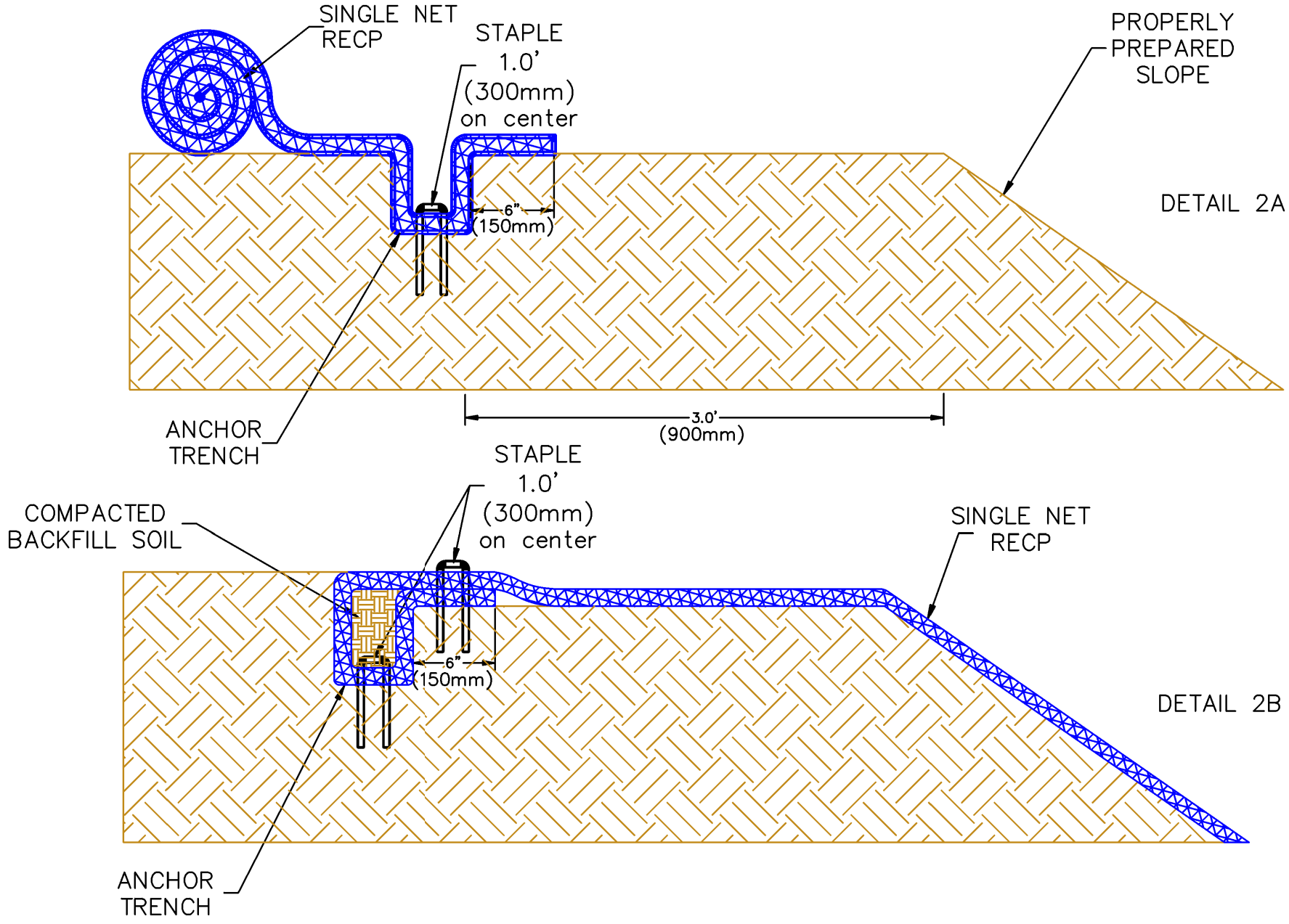


HEET DESCRIPTION SLOPE DRAWING #2	Erosion Control Technology Council – Denver, CO.	
PROJECT No.	RECP SLOPE INSTALLATION	
PROJECT MANAGE:	SCALE:	NONE
CHECKED BY:	DRAWING REVISION DATE:	07/21/2020
APPROVED BY:	VERSION NUMBER:	



For further information please refer to ECTC Installation Guidelines

*NOTE:
Netting to be on top of blanket.



For further information please refer
to ECTC Installation Guidelines