



**NARI MINNESOTA  
2023 AWARDS**

**RESIDENTIAL KITCHEN**

## BEHIND THE REMODEL

The homeowners realized their residence was outdated and didn't suit their way of living, but they were unsure about how to find a solution that would benefit everyone in the family. They were fond of their location and decided to renovate their home in phases. Our team worked together to come up with the most effective design plan that was affordable, beginning with the kitchen.

NARI

RESIDENTIAL KITCHEN



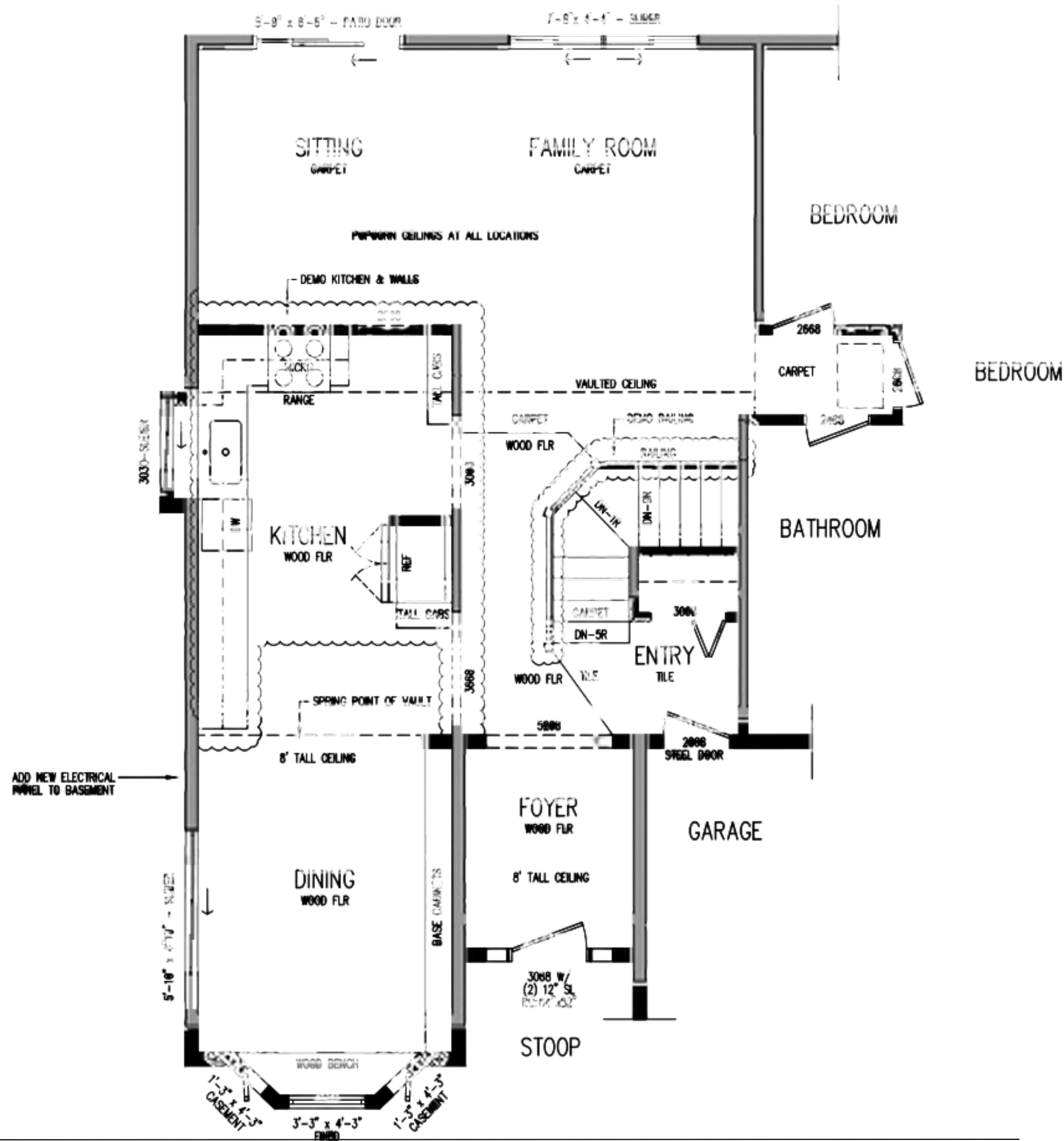
# MEETING CLIENT NEEDS



- Having a space to meet the needs of their blended family
- Open concept & modern design encompassing kitchen, dining, and living room areas
- New high-end appliances
- More efficient storage
- Additional seating area
- Entertaining space
- More counter space for less clutter by adding an island
- Updated flooring
- New hardware and plumbing fixtures

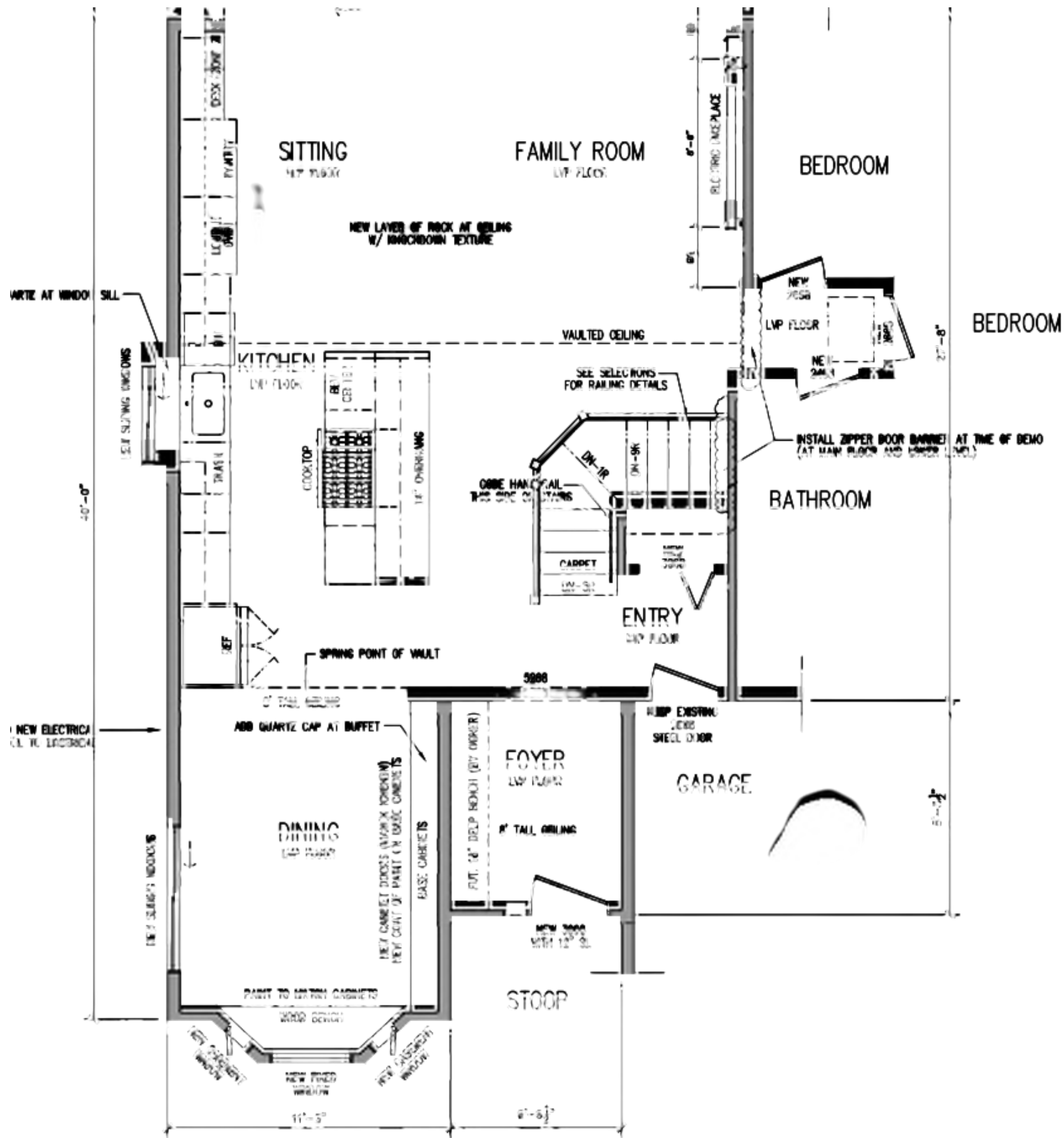
# FLOORING PLANS

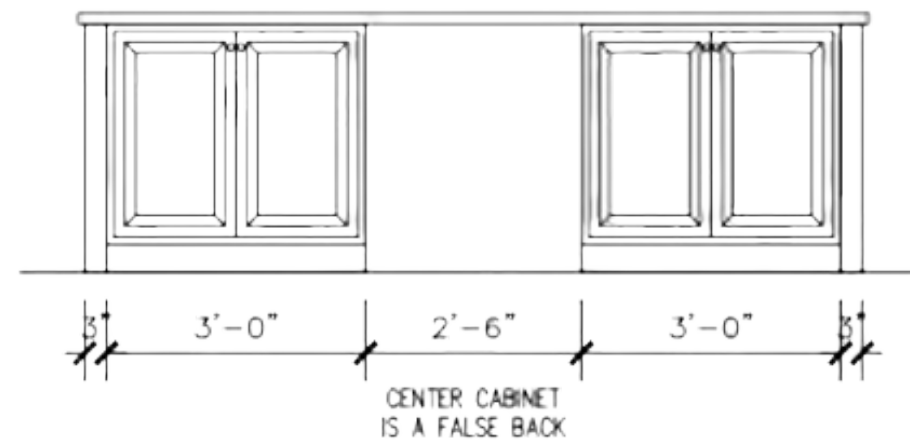
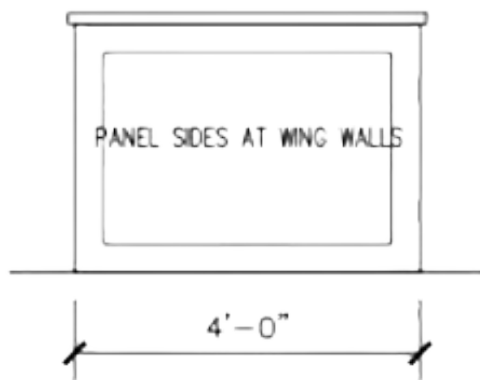
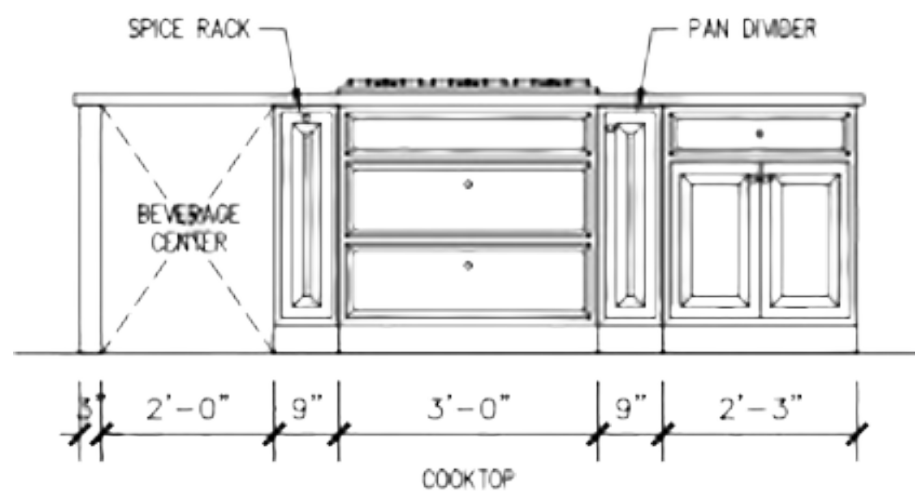
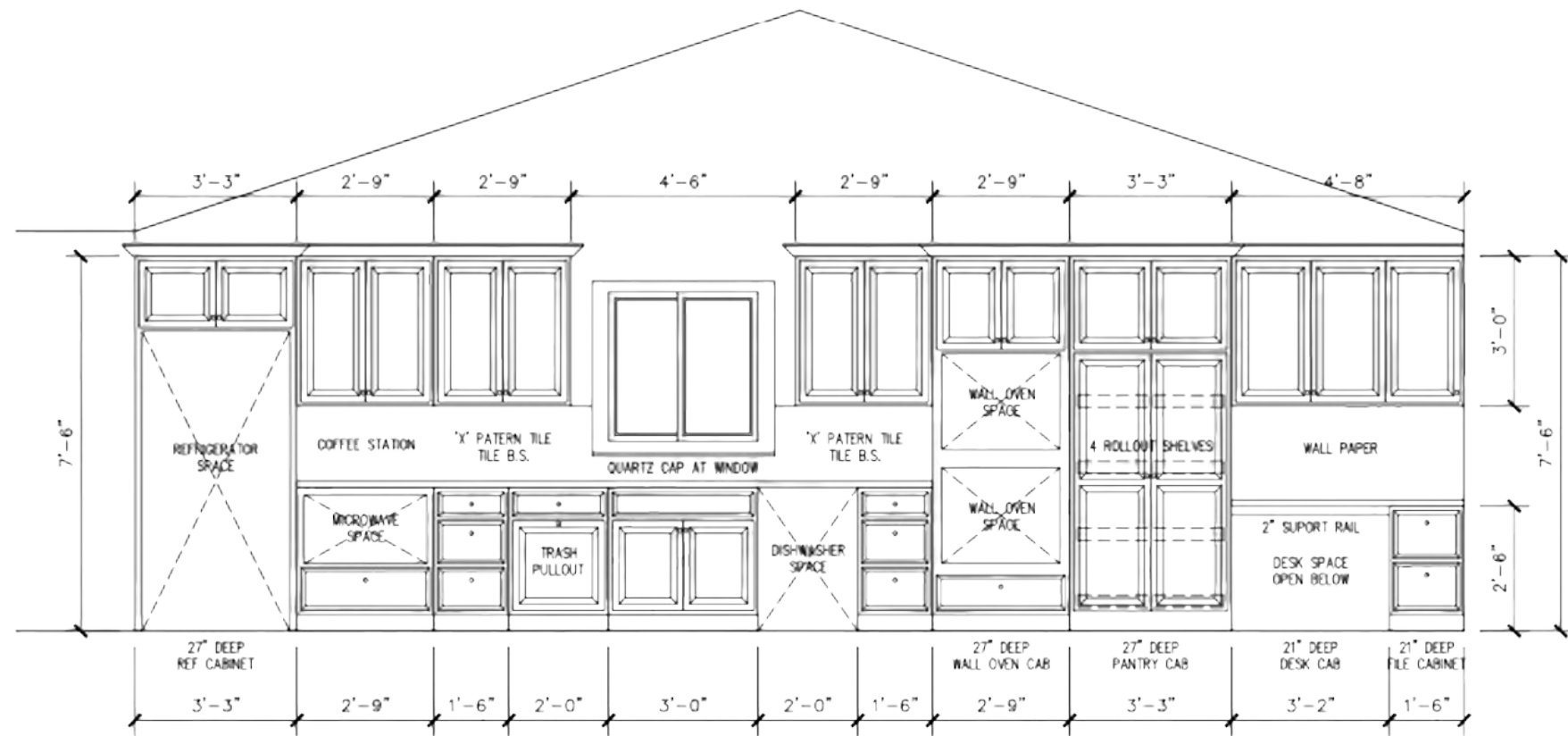
## BEFORE



# FLOORING PLANS

## AFTER





# DETAILS

# BEFORE & AFTER



# BEFORE & AFTER





# BEFORE & AFTER

# NARI



# BEFORE & AFTER

NARI



# BEFORE & AFTER



# BEFORE & AFTER

# NARI



# BEFORE & AFTER

N A R T





# AESTHETICS

- Eye-catching backsplash
- Unique light fixtures
- The high contrast of black & white and warmth from the LVP flooring
- New black Andersen windows
- Stunning quartz countertop
- Modern black plumbing features

# PROJECT CHALLENGES

- Replacing selected windows with custom size replacements so that existing openings would work and not impact exterior discontinued siding.
- Very few options for parking, material delivery, dumpster placement etc.
- Product delays caused us to install temporary appliances
- Maintaining safe access by using a poly wall system and zipper doors to separate the construction area and living space to bedrooms and lower level temporary cooking area.

NARI



# FUNCTIONALITY & CRAFTMANSHIP

- Created a much more family-centered kitchen and gathering area by removing unneeded walls
- Designed cabinets for ample storage
- Added a large island for an additional seating area and food prep while maintaining the formal dining space.

