

NARI MINNESOTA - 2023 COTY AWARDS

PROJECT: EVERYDAY EASE **CATEGORY: UNIVERSAL DESIGN - BATH**

With an eye toward accessibility, this bathroom is designed to ease the everyday routines of a homeowner who often uses a wheelchair. Universal design strategies guided the project structurally with ADA-compatible elements incorporated throughout.

Doorway openings are wider at 36" and pocket doors replace swinging doors. One side of the vanity is set lower and left intentionally open underneath to accommodate the wheelchair when needed.

An expansive shower with a curbless transition replaces a large corner tub allowing our homeowner easier movement throughout the space. Grab bars add a safety net and are placed purposefully around the room.

Visually, the project shines just as bright with white shaker-style cabinetry balanced by warm tones found elsewhere. Oversized warm gray porcelain wall tile partners beautifully with a diminutive square tile on the shower floor, while brushed nickel hardware and quartz countertops complete a timeless, classic appeal.

The nuanced amenities in this bathroom showcase how intentional design practices can positively impact the day-to-day life of a homeowner.



BEFORE PHOTOS



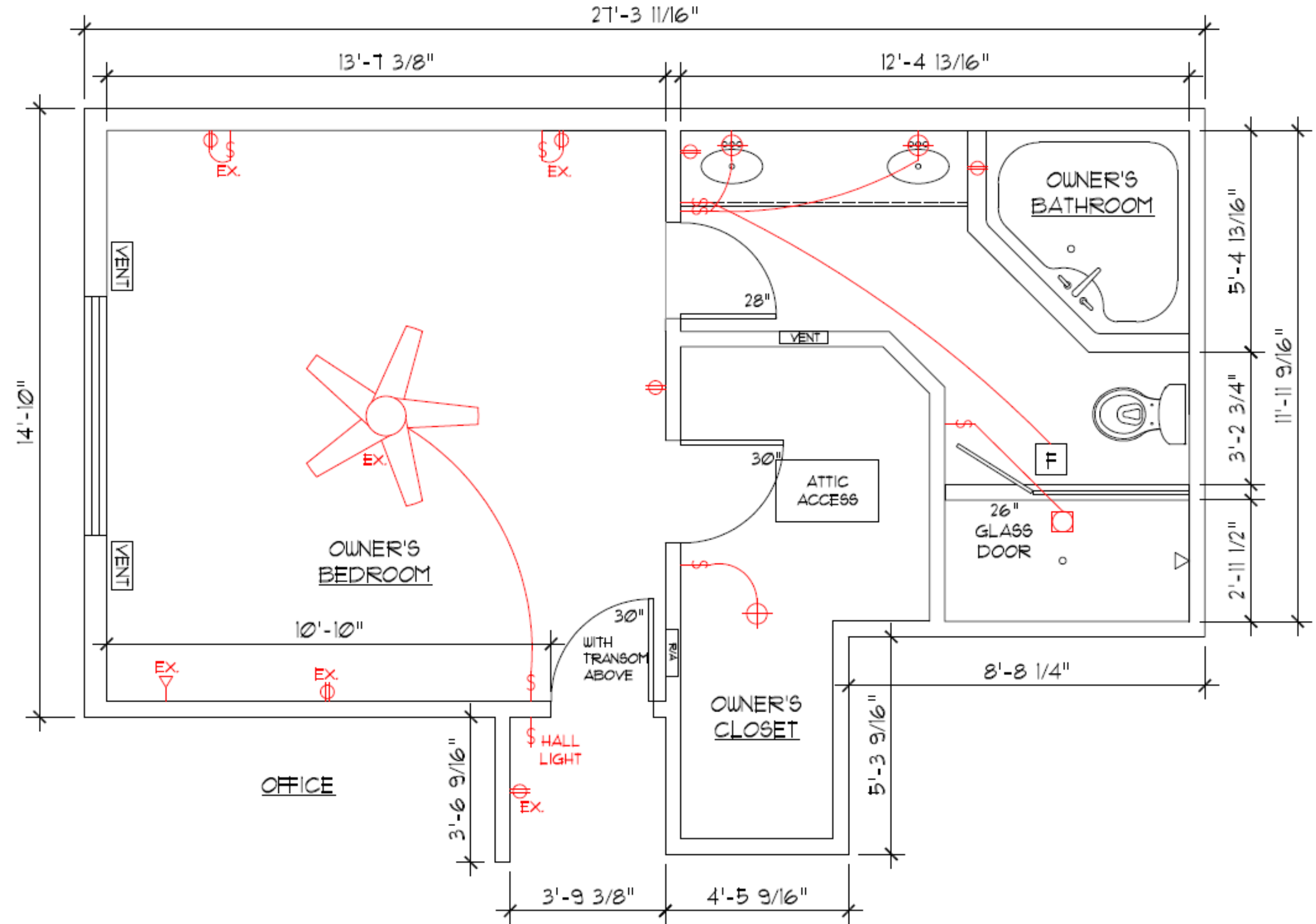
CLIENT REQUESTS AND BEFORE SITE PLAN

-Create a functional layout to ease the everyday routines of the homeowner who often uses a wheelchair.

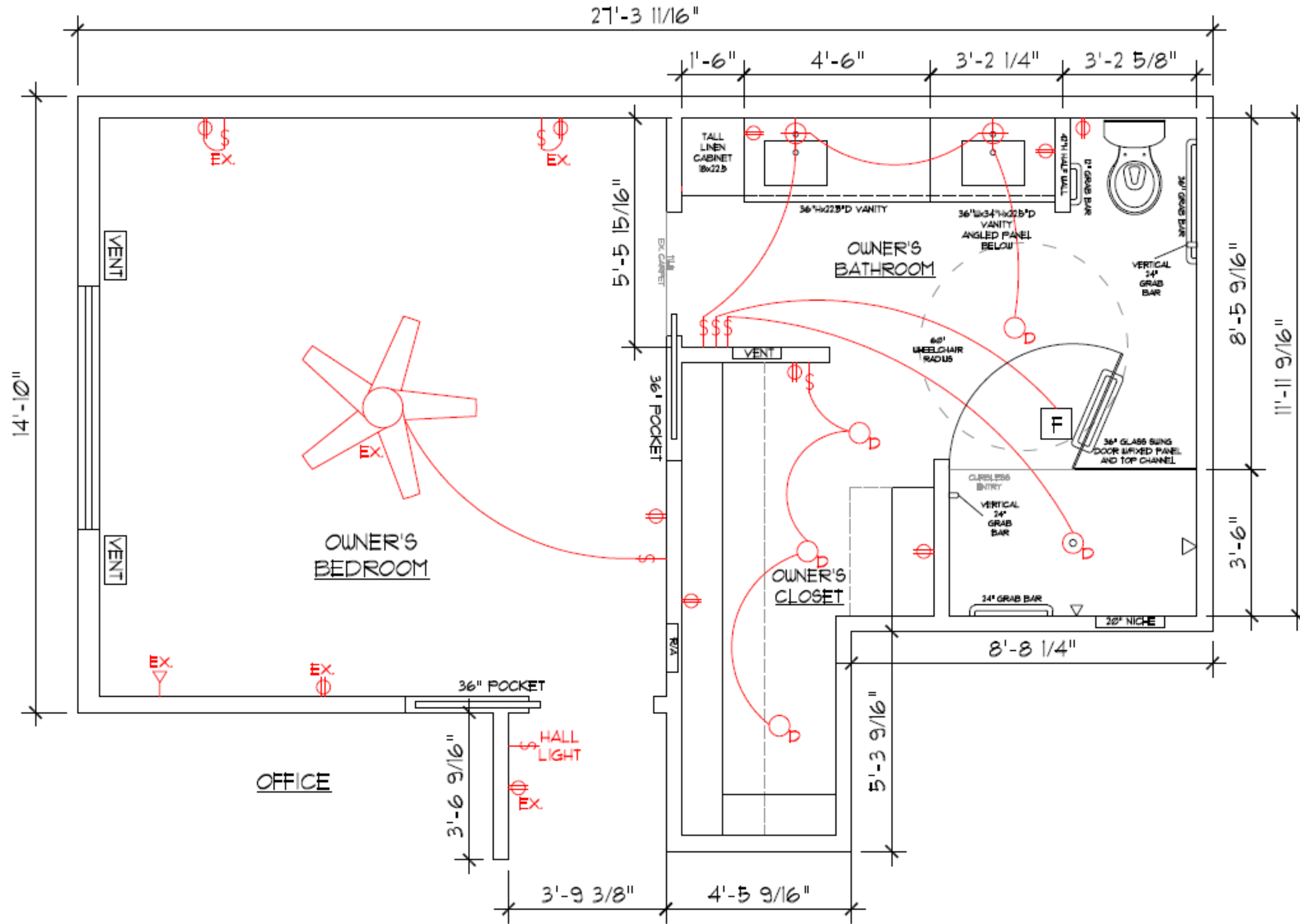
-Incorporate ADA-compatible elements throughout the space to increase the safety for the homeowner.

-Provide wider shower and door openings and a more open space plan to increase mobility within the space for the wheelchair.

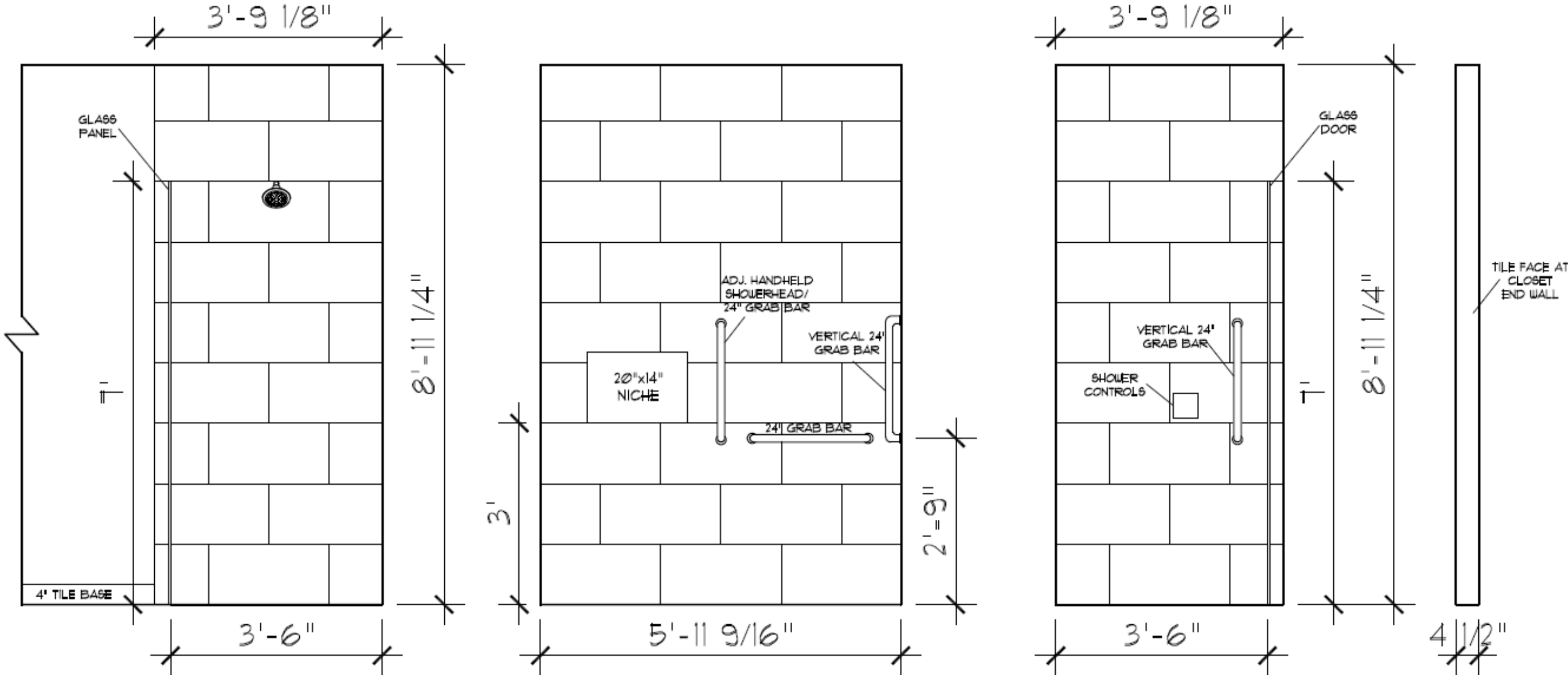
-Include a neutral, bright pallet with good energy and flow.



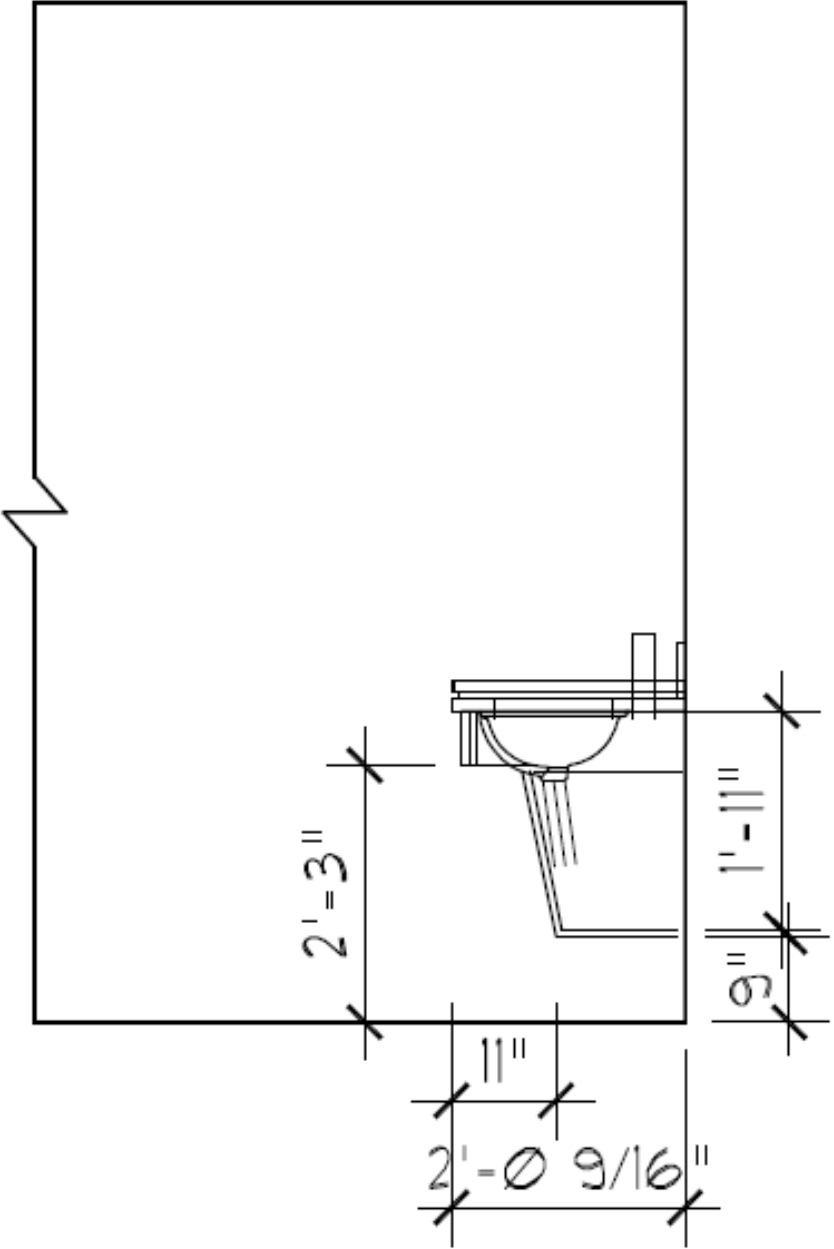
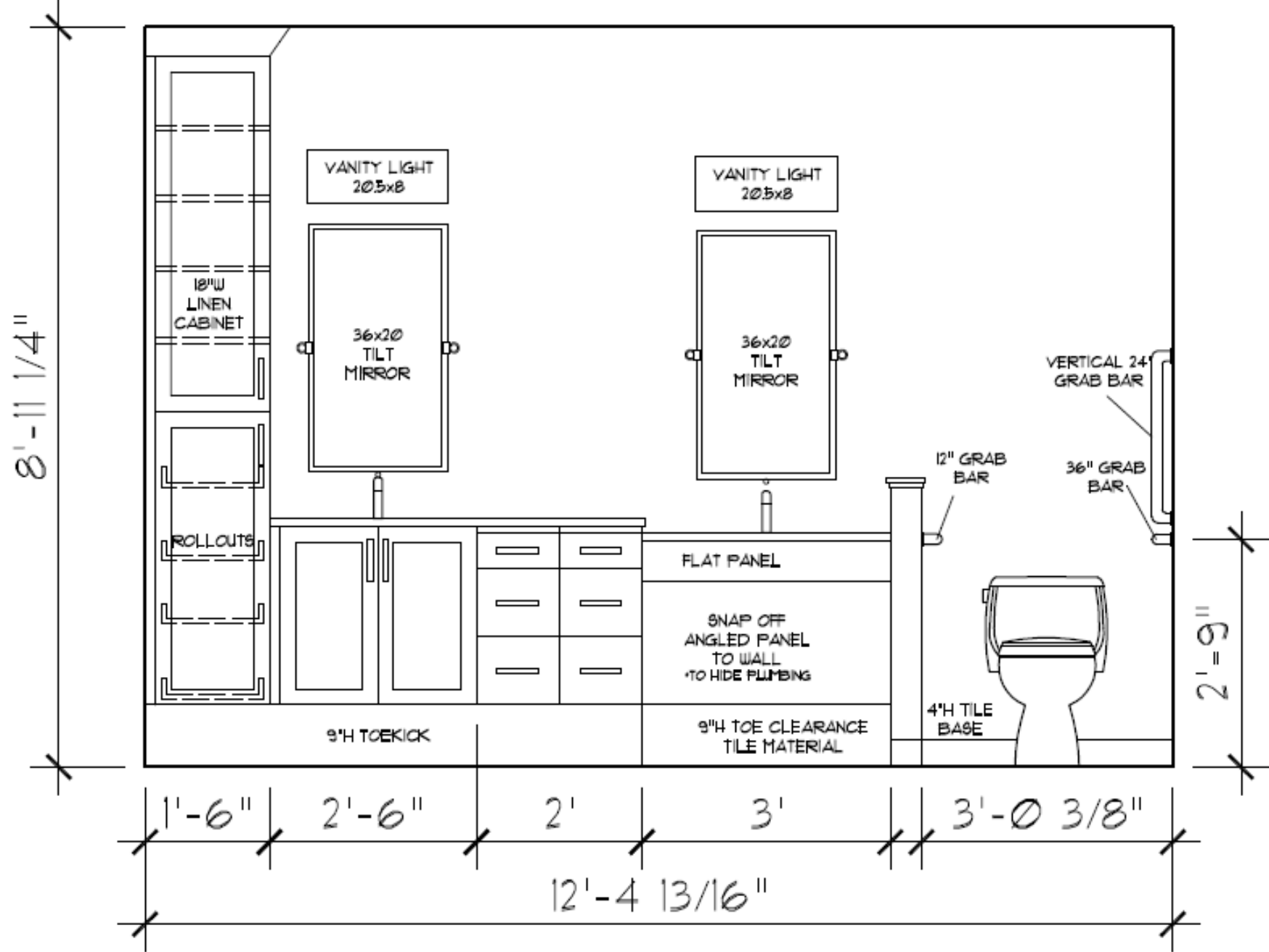
AFTER SITE PLAN



ELEVATION DETAILS - SHOWER



ELEVATION DETAILS - VANITY



BEFORE AND AFTER



PROJECT CHALLENGES

ADA / UNIVERSAL DESIGN

Following ADA and Universal Design strategies closely provided the most consistent challenge throughout the project. It was important that the ADA elements provided comfort and functionality for both homeowners.

SHOWER AND GLASS

The curbless shower and glass offered challenges as the glass had to line up with the existing subfloor.

In addition, the 36" shower opening needed to accommodate the wheelchair meant that the glass door was oversized, and therefore heavy. A support bar was needed to support the additional weight of the door.

VANITY

Functionally, creating a solution that covers the sink plumbing under the vanity took some thought. Ultimately, a removeable cover became the solution.



FUNCTIONALITY

-Doorway openings are wider at 36" and pocket doors replace swinging doors.

-Closet access relocated from the bedroom to the bathroom to maximize space and mobility.

-The large corner tub removed which allows the toilet to be relocated.

-One side of the vanity is set lower and left intentionally open underneath to accommodate the wheelchair when needed. Taller toe-kicks clear any obstacle for the wheelchair.

-An expansive shower with a curbless transition replaces a large corner tub allowing the homeowner easier movement throughout the space.

-The tile shower niche is installed lower to accommodate the homeowner in a wheelchair and includes a Schluter edge.

-Grab bars add a safety net and are placed purposefully around the room.



AESTHETICS

-A bright white palette with neutral accents provides a lively, yet calming setting.

-White shaker-style cabinetry is balanced by warm tones found throughout.

-Oversized warm gray porcelain wall tile partners beautifully with a diminutive square tile on the shower floor.

-Brushed nickel hardware and quartz countertops complete a timeless, classic appeal.

